

COMPASS



COMPASS READER

COMPASS READER D113254

- Compass Reader is the proximity reader which receives an input from the transponder, sends the signal to Compass 485 which carries out the necessary checks and allows or prevents access.
- Tampering actions do not entail any risk: as it is only a card reader, Compass Reader cannot allow opening
- Reading distance: between 5 and 10 cm from the reader

COMPASS READER: Proximity reader to be used with COMPASS 485

Power supply voltage: 12Vdc (supplied by Compass 485)

Degree of protection: IP44

Max connection distance between reader and management unit: 10 metres

Reading distance: 5-10 cm

Signal indications: Buzzer + two-colour LED

Installation: wall-mounted.



COMPASS 485

COMPASS 485 D113256

- Installed inside the protected area, this unit memorises the card codes and receives signals from the Compass Reader. It manages:
 - door opening input
 - door status input
 - door alarm output
 - door lock output
 - up to 6000 cards as a stand-alone system

COMPASS 485: Management unit for Compass Reader

Power supply voltage: 230 Vac

Inputs: opening button, door status sensor

Access control output: 10A 250V relay with insulated contact

Auxiliary output (door-open alarm): 10A 250V relay

Degree of protection: IP20 (*)

Number of users which can be memorised in stand-alone version: 6000

Programming: by means of Master Cards or PC

Serial interface: RS485 (2 wires)

Installation: wall-mounted.

COMPASS 232 D113257

- To connect up to 19 Compass 485 units to the PC serial port
- All the readers can be connected to a PC by the network to increase the number of codes which can be managed
- Also includes operation of a Compass 485 unit

COMPASS 232: Serial converter RS485 - RS232

Power supply voltage: 230 Vac

Inputs: opening button, door status sensor

Access control output: 10A 250V relay with insulated contact

Degree of protection: IP20

Number of peripheral units which can be connected: 19

Number of cards which can be memorised in stand-alone version: 6000

Programming: by means of Master Cards or PC

Installation: wall-mounted.



COMPASS 232

COMPASS SC D113684

- Stand-alone unit (with no permanent PC connection)
- The system performs independent access control, allowing functions to be configured via the Securbase Light or Securbase Plus software
- In stand-alone mode it is able to handle 6000 recognition devices and stores all associated events and relative date and time parameters

COMPASS-SC: Control unit for access control systems capable of handling up to 32 peripheral devices (Compass-485, Compass-Reader, RTD-CA and Seletto).

Supply voltage: 230 Vac or 12 V battery.

Inputs: open pushbutton, door status sensor.

Passageway control output: 12A 250 Vac relay.

Auxiliary output (door open alarm): 12A 250Vac relay.

Connections: RS485 serial port for connecting to other system peripherals, RS232 serial port to communicate with the PC, USB serial port for connecting to the PC.

Degree of protection: IP20.

Number of storable users in the stand-alone version: 6000 without keypad.

Alarms: Buzzer.

Programming: Via keypad or PC.

Installation: wall-mounted

RTD CA

- Receiver usable with system COMPASS.
- It can be used with COMPASS access control system (reads the transmitted as proximity card)

RTD CA 2048 (D113671 00002): 2048 code rolling code receiver.

Power supply voltage: 230 V \pm 10% 50 Hz

Code: rolling code

Degree of protection: IP20(*)

(*) The degree of protection for the box becomes IP55 using a seal supplied on request. Only use fittings suitable for the box size and the cable diameter.



COMPASS SC



RTD CA

Access control system



MITTO 2T D111453 00001



Double-channel transmitter with rolling-code coding, incorporates a transponder to be read by a proximity reader.



MITTO 4T D111454 00001



Four-channel transmitter with rolling-code coding, incorporates a transponder to be read by a proximity reader.



COMPASS ISOCARD D110912

Proximity card to ISO standard. Printing can be graphically customised. Compass Isocard customised on request (D110917).



COMPASS RING D110914

Key holder with transponder. Keeps the same functions as those of Compass Isocard.

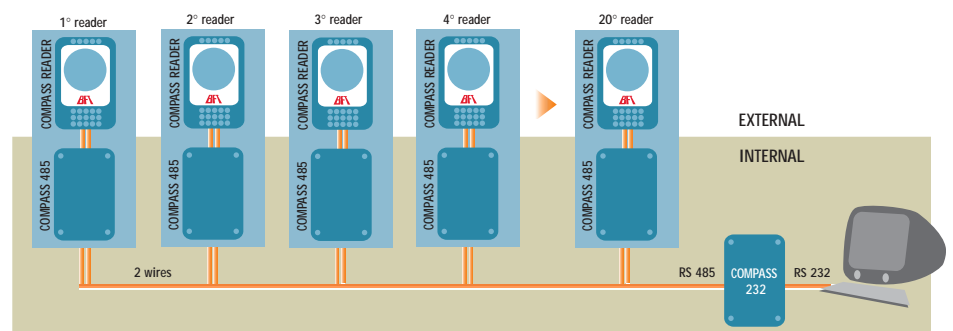
SECURBASE D811315

SECURBASE is the access control management database in the PC. When the system is connected to the network, code control is entrusted to the PC. This greatly increases the chances of setting customised parameters:

- data for: cards, readers, card groups, reader groups, card subgroups, reader subgroups

- time band data
- calendar data
- antipassback (with the same card, the user must come out before being allowed back through the access)
- real-time display of access status
- card enabling and disabling by means of PC.

Example of COMPASS installation



A Compass 232 unit can be connected to the PC by means of a serial port.

Main characteristics

Access control system which can be interfaced with a personal computer • COMPASS includes: a COMPASS READER proximity reader • a COMPASS 485 processing unit which memorises card codes, receives signals from the COMPASS READER, manages inputs and outputs • a COMPASS 232 serial converter to connect the COMPASS 485 units (19 at the most) to the serial port of a computer • the SECURBASE management database for access control on PC